

WASHINGTON-ST. TAMMANY ELECTRIC COOPERATIVE, INC.

METER LOOP SPECIFICATION
NET METERED UNDERGROUND SERVICE

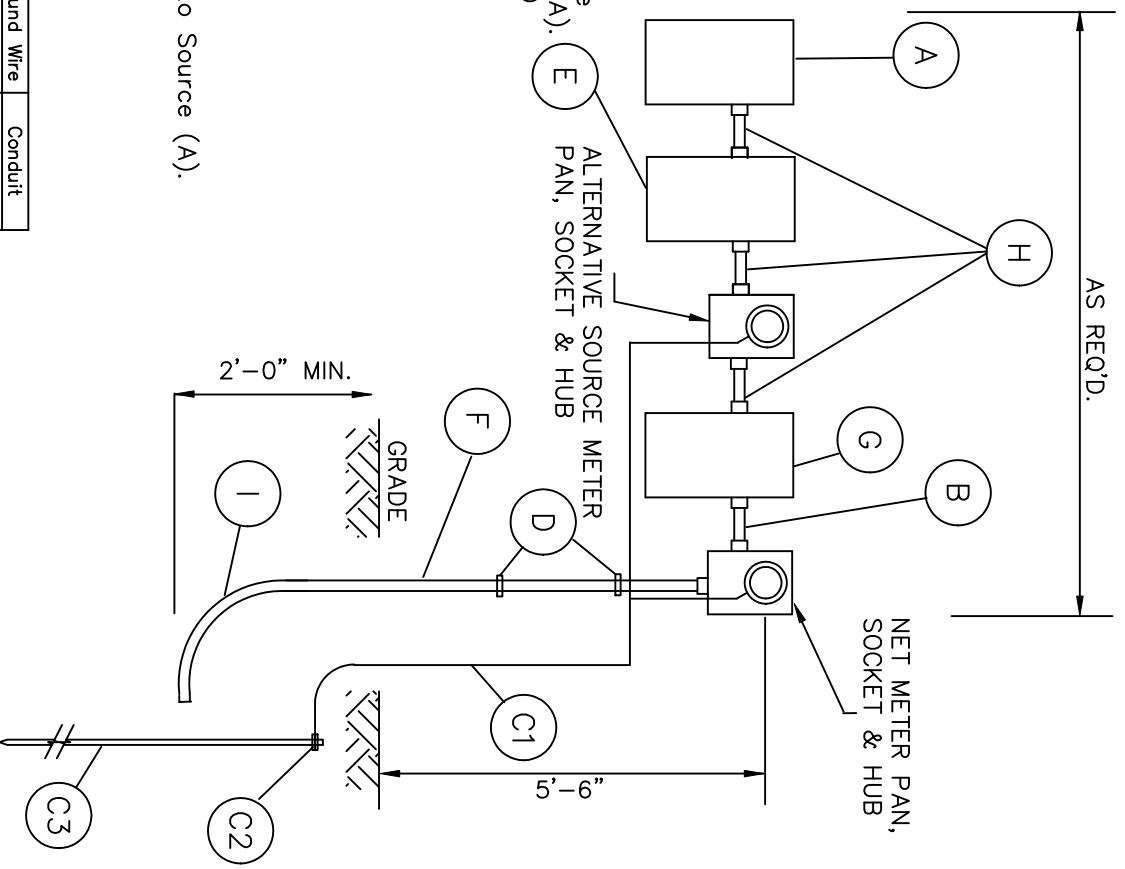
METER LOOP MUST BE INSTALLED FOR STAKING ENGINEER TO STAKE!

GENERAL REQUIREMENTS:

1. Consumer is responsible for all equipment beyond the point of service except the meter.
2. Consumer is responsible for load capacity including future loads.
3. This drawing is illustrative of generally acceptable standards. Where National, Local, City or Community codes are more restrictive, they shall govern. It shall be the responsibility of the member to construct and maintain the electrical service in a safe manner.
4. Use qualified electrician and install the electrical service in accordance with the National Electric Code.
5. Meter pan height shall be 5'-6" above ground.

Legend:

- A) Member's Alternative Source.
- B) Member's conductors, copper only.
- C1) Grounding conductor, copper only, in wall or if exposed securely fastened to wall.
- C2) Ground rod clamps: Acorn type below grade recommended, clamp type above grade.
- C3) Ground rod 8' long, 1/2" dia. copperweld or 5/8" dia. galv.
- D) Conduit straps as required.
- E) Exterior Weatherproof Alternative Source Disconnect sized according to Source (A). (MUST BE LABELED AND ACCESSABLE TO WST PERSONNEL)
- F) PVC Sch. 80 or rigid galvanized conduit, smooth bushing or bell on end of conduit.
- G) Service main disconnect: Circuit breaker recommended, fused switch acceptable, may be inside or raintight outside the building but not more than 30" from meter.
- H) Member's conductors, sized according to Source (A).
- I) 24" min. radius Sweep elbow



| (G) Full Capacity Amperes | (B) Conductor sizes: 30°C ambient, THHN-Copper | | Insulation type | Ground Wire (C1) | Conduit (F) |
|---------------------------|--|---------|-----------------|------------------|-------------|
| | Phase | Neutral | | | |
| 100 | 2 | 2 | | 6 | 2" |
| 150 | 1/0 | 1 | | 6 | 2" |
| 200 | 2/0 | 1/0 | | 6 | 2" |