

WASHINGTON-ST. TAMMANY ELECTRIC COOPERATIVE, INC.

MINIMUM METER LOOP SPECIFICATIONS TEMPORARY OVERHEAD SERVICE

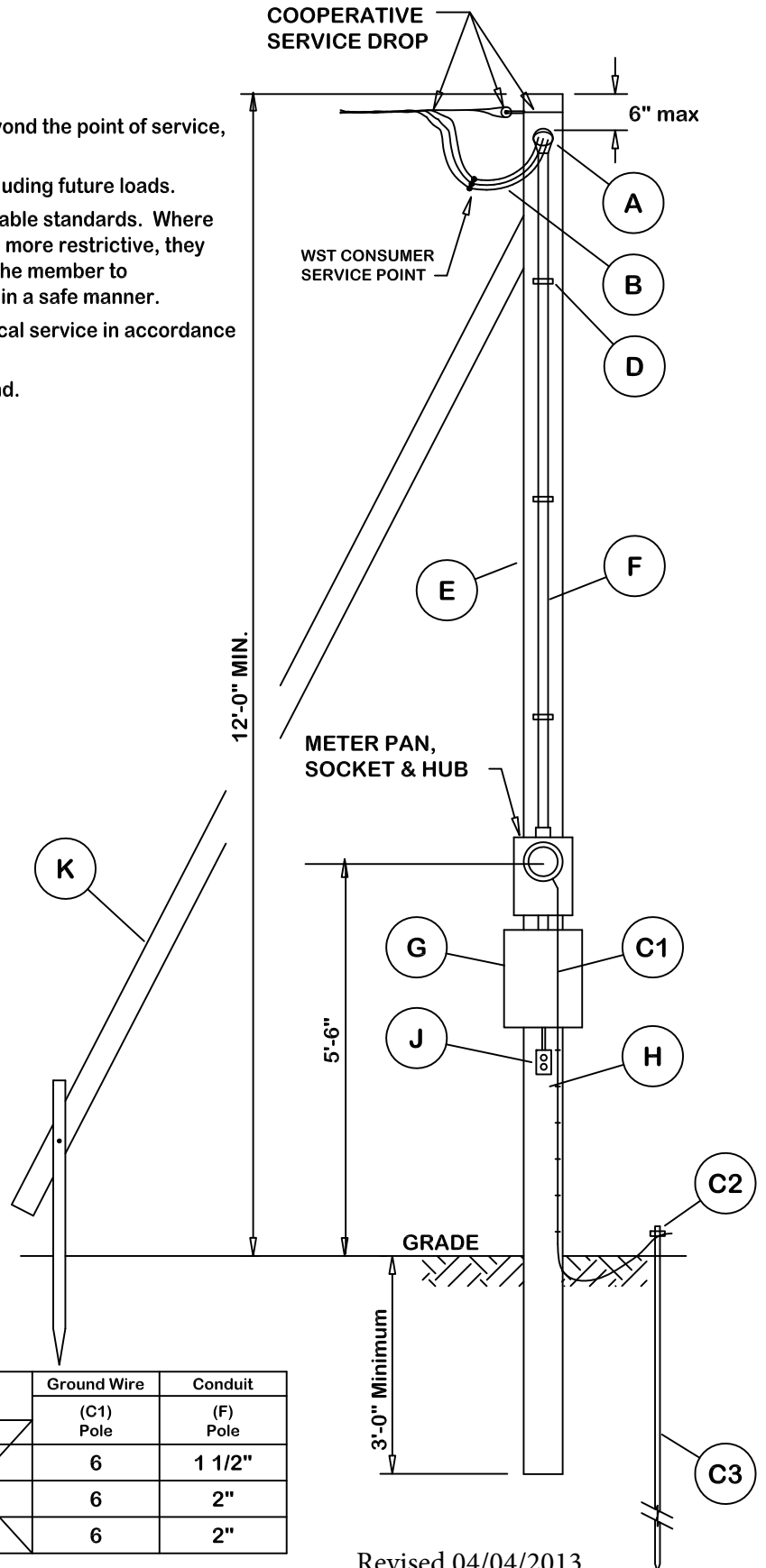
METER LOOP MUST BE INSTALLED FOR STAKING ENGINEER TO STAKE!

GENERAL REQUIREMENTS:

1. Consumer is responsible for all equipment beyond the point of service, except the meter.
2. Consumer is responsible for load capacity including future loads.
3. This drawing is illustrative of generally acceptable standards. Where National, Local, City or Community codes are more restrictive, they shall govern. It shall be the responsibility of the member to construct and maintain the electrical service in a safe manner.
4. Use qualified electrician and install the electrical service in accordance with the National Electric Code.
5. Meter socket height shall be 5'-6" above ground.

Legend:

- A) Weatherhead.
- B) Service entrance conductors, copper only.
- C1) Pole grounding conductor, copper only.
- C2) Ground rod clamps: Acorn type below grade recommended, clamp type above grade.
- C3) Ground rod 8' long, 1/2" dia. copperweld or 5/8" dia. galv.
- D) Conduit straps: Min. 2, galv.
- E) Pole: 4"x4"x16', pressure treated cresote, penta or CCA process only.
- F) Galvanized conduit and fittings or Sch 80 electrical PVC and fittings.
- G) Service main disconnect: Circuit breaker recommended, fused switch acceptable, rain tight enclosure.
- H) Staples, approximately 6" apart.
- J) Weatherproof receptacle as needed.
- K) Brace: 2"x4"x16' braced in the direction of strain.



(G) Full Capacity Amperes	(B) Conductor sizes: Insulation type, 30°C ambient, THHN-Copper		Ground Wire (C1) Pole	Conduit (F) Pole
	Phase	Neutral		
100	4	4	6	1 1/2"
150	1/0	2	6	2"
200	2/0	1/0	6	2"

Revised 04/04/2013